

STAINES HTD22

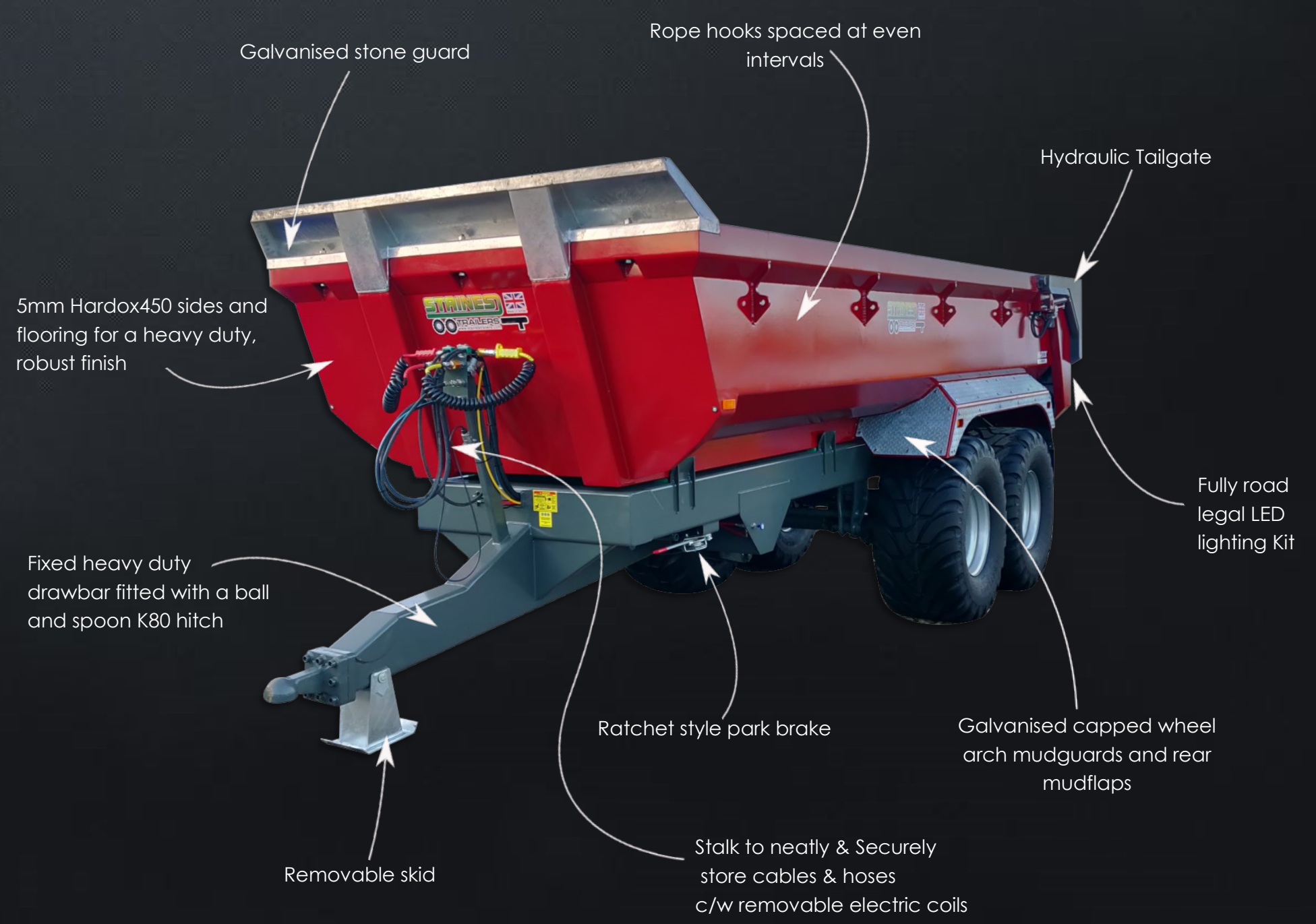
HARDOX TUBE DUMPER 22 TON CAPACITY



Our Staines Hardox® tube dumpers are designed and manufactured from the world's leading abrasion-resistant steel plate. By utilising materials such as Hardox® 450 and Strenx® 700MC we have created a dump trailer that will continually resist severe wear and impact during its long working life.

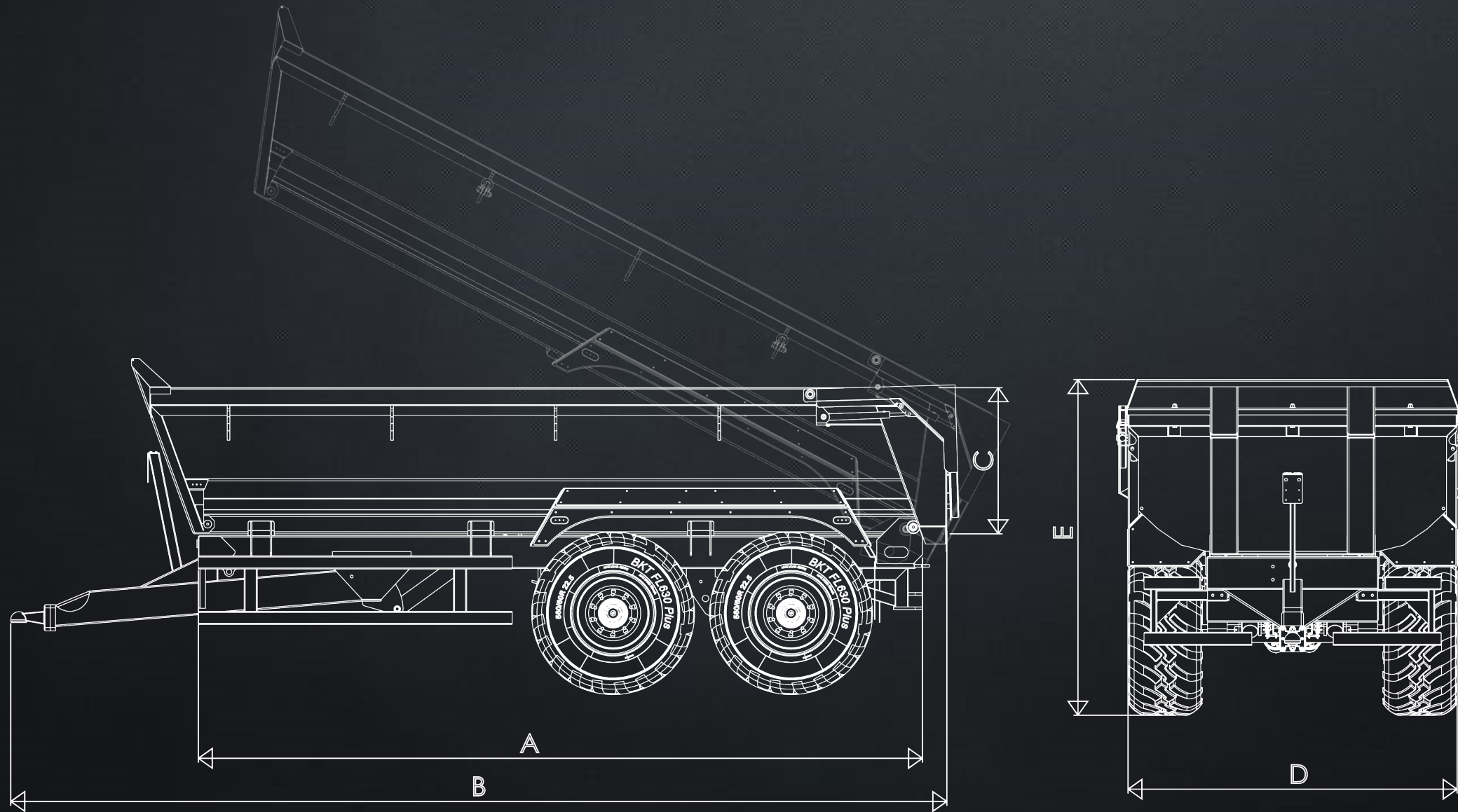
These materials also help us to lower overall body weight, increase overall strength resulting in the ability to transport larger payloads.

TRAILER SPECIFICATION	
Model	HTD22-A
Carrying Capacity	22,000 Kg
Cubic Capacity	13.5 m3
Back Door	Heavy duty hydraulically driven operated tailgate
Sides & Floor	5mm Hardox 450 and Strenx 700
Trailer Chassis	250 x 150 x 8mm RHS
Axles	Commercial 10 stud axles.
Suspension	Over slung 3 leaf spring suspension
Tyres	560/60x22.5 169 K New Tyres
Braking	Air & Hydraulic braking system with load sensing air
Lighting	- Fully legal LED commercial road lighting system - Front and side marker lights - Rear stop/tail/indicator/flashing lights
Tipping	Twin 3 stage chrome plated tipping rams
Paint	Twin pack polyurethane paint



STAINES HTD22

HARDOX TUBE DUMPER 22 TONNE CAPACITY



HTD22	Ref	22 TONNE
Body Length (inside)	A	5950mm
Overall Length	B	7155mm
Body Height (inside)	C	970mm
Body Width (inside)	D	2345mm
Body Width overall	D	2515mm
Overall Height	E	2570mm
Tipping Height		