

STAINES MP18

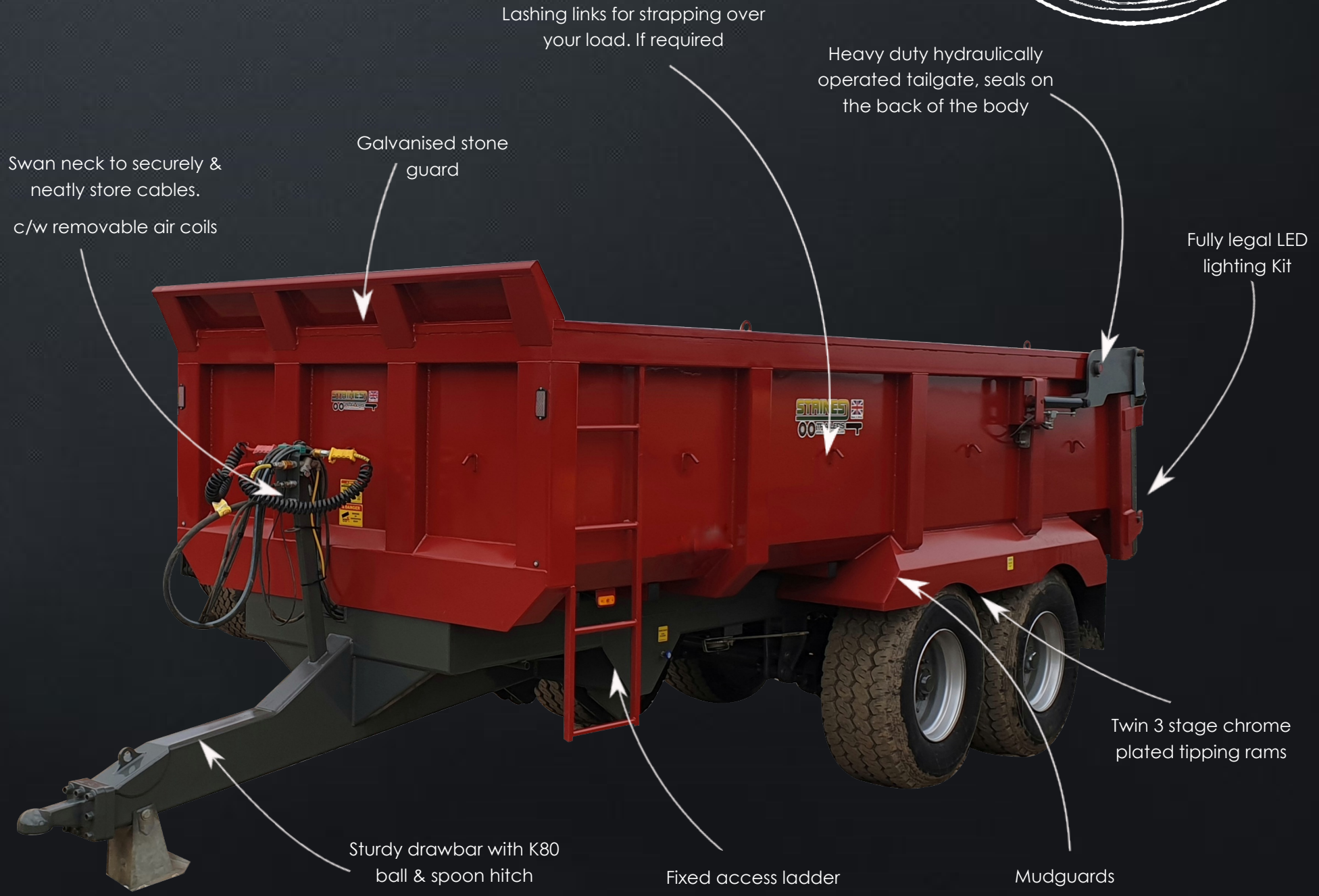
MULTI-PURPOSE DUMP TRAILER—18 TONNE



Our Staines multi purpose dump trailers are the perfect addition to any site, helping you collect, transport and dump materials while saving time and reducing work related injuries.

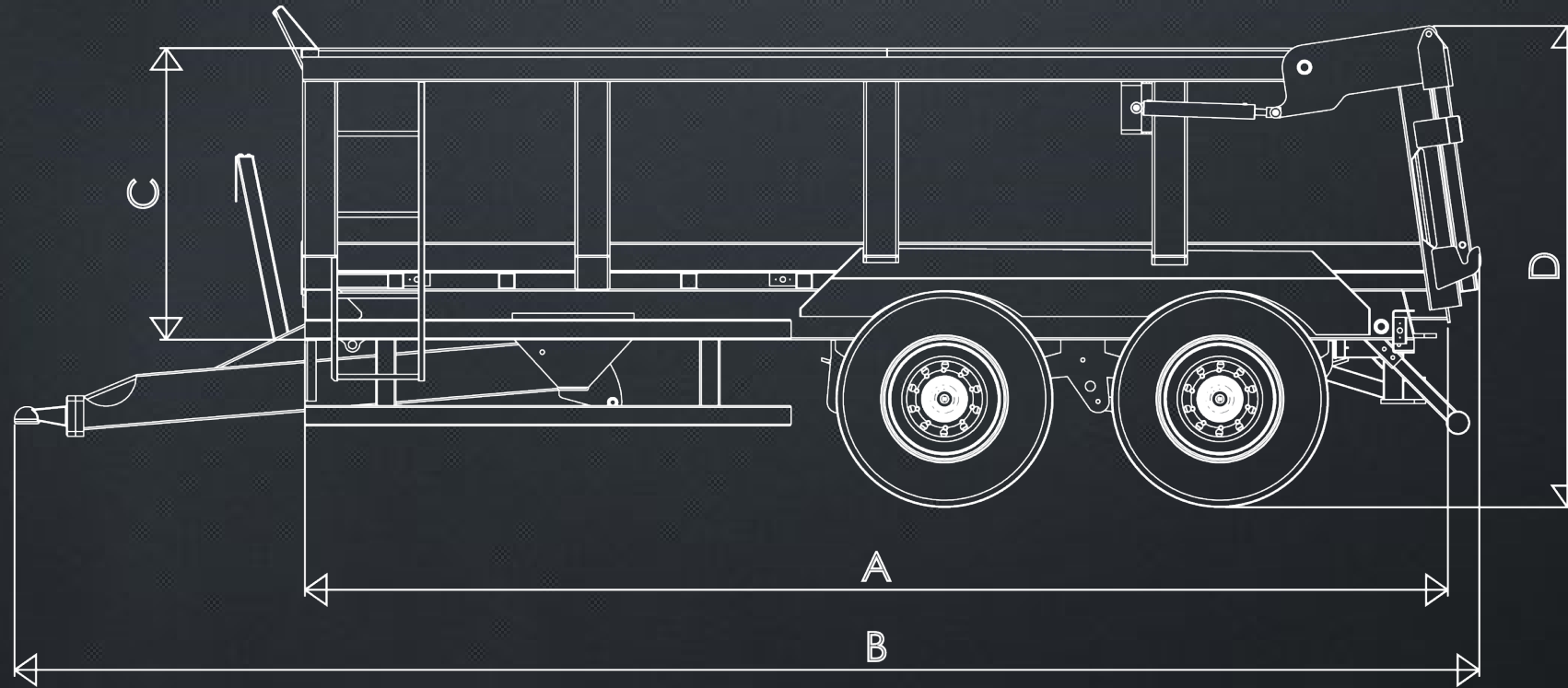
To protect against wear and tear out MP18 are built with 5mm sides, reinforced channels and heavy-gauge flooring, making for a really strong and practical trailer.

TRAILER SPECIFICATION	
Model	MP18-A
Carrying Capacity	18,000kg
Cubic Capacity	14m ³
Floor	8mm Mild Steel
Sides	5mm Mild Steel
Trailer Chassis	250 x 150 x 10mm RHS
Axles	Commercial 10 stud axles
Suspension	Commercial parabolic mono leaf
Tyres	445/65R 22.5
Braking	Air & Hydraulic braking system
Lighting	Fully road legal LED lighting kit Rear stop / tail / Indicator / Flashing light Front & Side LED marker lights
Paint	Twin pack, high gloss polyurethane paint



STAINES MP18

MULTI-PURPOSE DUMP TRAILER—18 TONNE



MP18	Ref	
Body Length (average inside)	A	5520mm
Overall Length	B	7230mm
Bed Height (inside)	C	1100mm
Overall Height	D	2375mm
Tapering body width	E	2370-2600mm
Tapering body Width (inside)		2200-2370mm

