

STAINES PT32

TRI-AXLE PLANT TRAILER WITH HYDRAULIC RAMPS

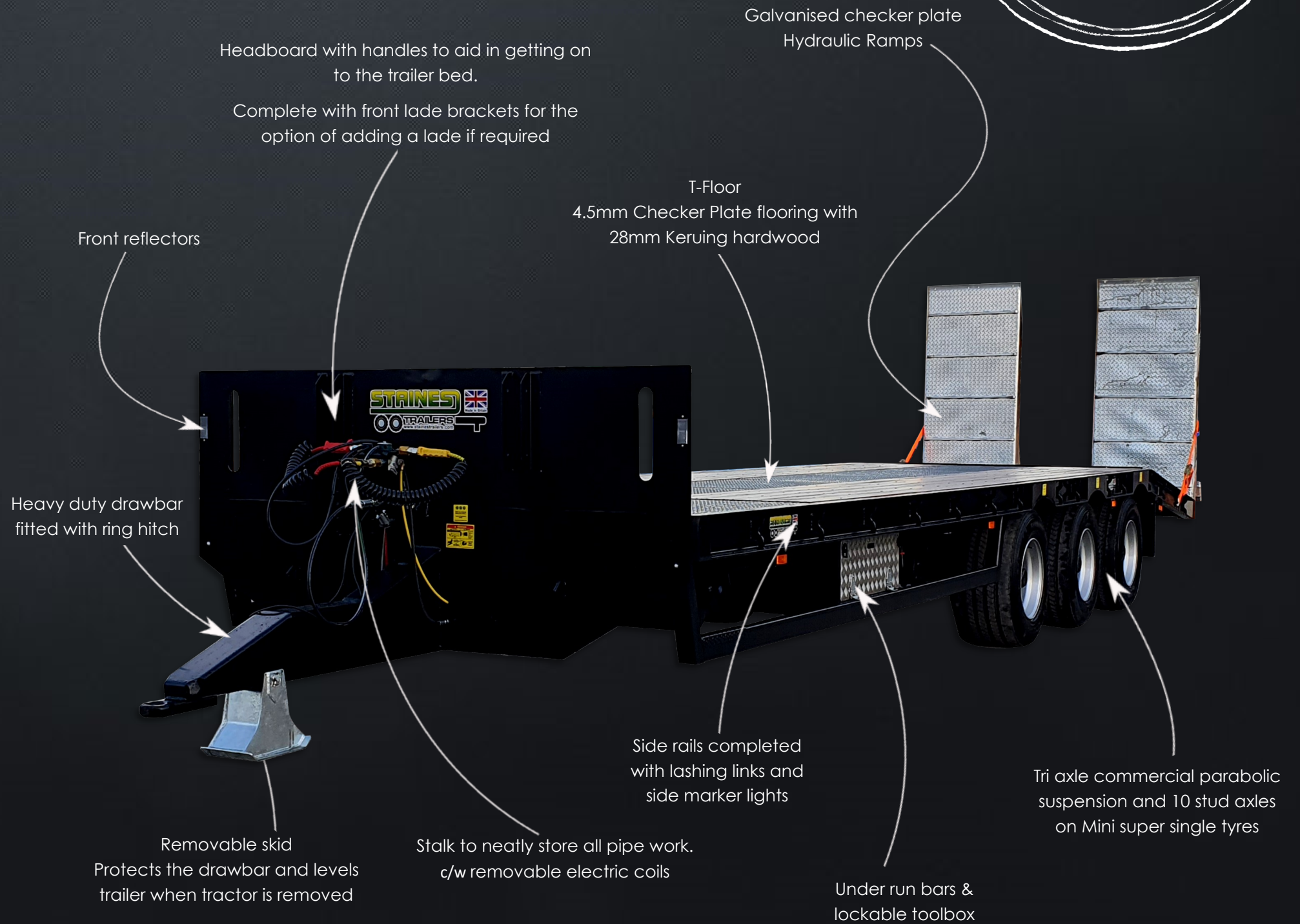
AGRICULTURAL SPECIFICATION

Our Staines Tri axle plant trailers are manufactured using a heavy duty chassis, sturdy drawbar and T-floor finish. The robust design allows for the transportation of various types of cumbersome machinery, plant and equipment effortlessly.

Our 6ft hydraulic ramps along with our 6ft 10 degree fixed beaver tail allow for the ease of tracking equipment up onto the trailer.

TRAILER SPECIFICATION

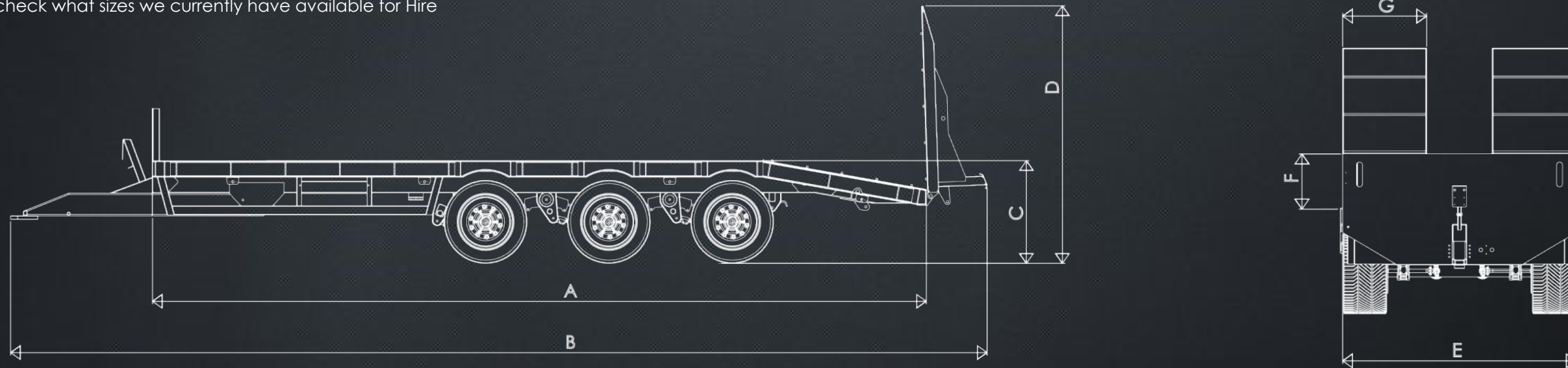
Model	PT32-A
Carrying Capacity	32,000 Kg
Floor	T-Floor
Sides	180 x 75 x 20.3kg PFC
Ramp Type	Hydraulic Ramps
Trailer Chassis	250 x 150 x 8mm RHS
Axles	Commercial 10 stud axles
Suspension	Commercial parabolic mono leaf suspension
Tyres	445 / 45/ R22.5
Braking	Air and hydraulic braking systems with load sensing ait only
Lighting	Fully road legal LED lighting kit Rear stop/ tail / Indicator/ Flashing light Front & Side LED marker lights
Paint	Twin pack, high gloss polyurethane paint



STAINES PT32

TRI-AXLE PLANT TRAILER WITH HYDRAULIC RAMPS

*Please call to check what sizes we currently have available for Hire



PT32	Ref	26ft	27ft	28ft	30ft	32ft	33ft	36ft
Body Length	A	7925mm	8230mm	8535mm	9145mm	9754mm	10,058mm	10,973mm
Overall Length	B	10,166mm	10,471mm	10,776mm	11,386mm	11,995mm	12,300mm	13,214mm
Bed Height Laden	C	1112mm	1112mm	1112mm	1112mm	1112mm	1112mm	1112mm
Bed Height Unladen	C	1124.5mm	1124.5mm	1124.5mm	1124.5mm	1124.5mm	1124.5mm	1124.5mm
Overall Height	D	2710mm	2710mm	2710mm	2710mm	2710mm	2710mm	2710mm
Body Width	E	2500mm	2500mm	2500mm	2500mm	2500mm	2500mm	2500mm
Headboard Height	F	600mm	600mm	600mm	600mm	600mm	600mm	600mm
Ramp Width	G	900mm	900mm	900mm	900mm	900mm	900mm	900mm