

STAINES WB

2500 GALLON WATER BOWSER



Our Staines 2,500 gallon water bowser are perfect addition to any fleet, ideal for uses in quarries, construction sites and other civil engineering projects. Designed with a PTO driven pump for powered discharge and a PTO driven vacuum pump for suction loading,

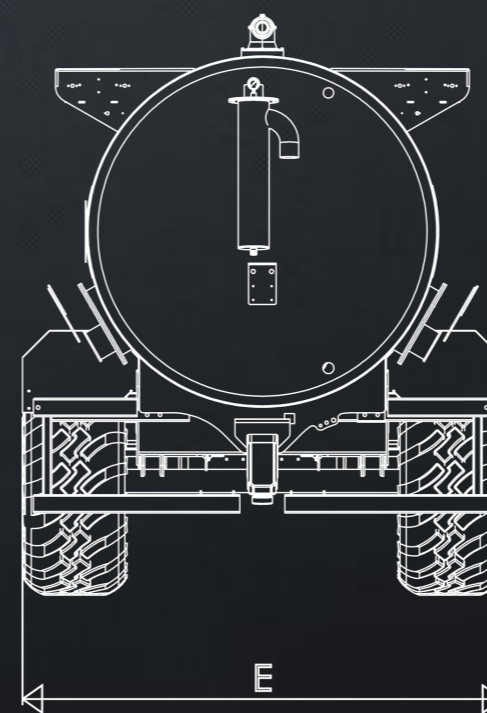
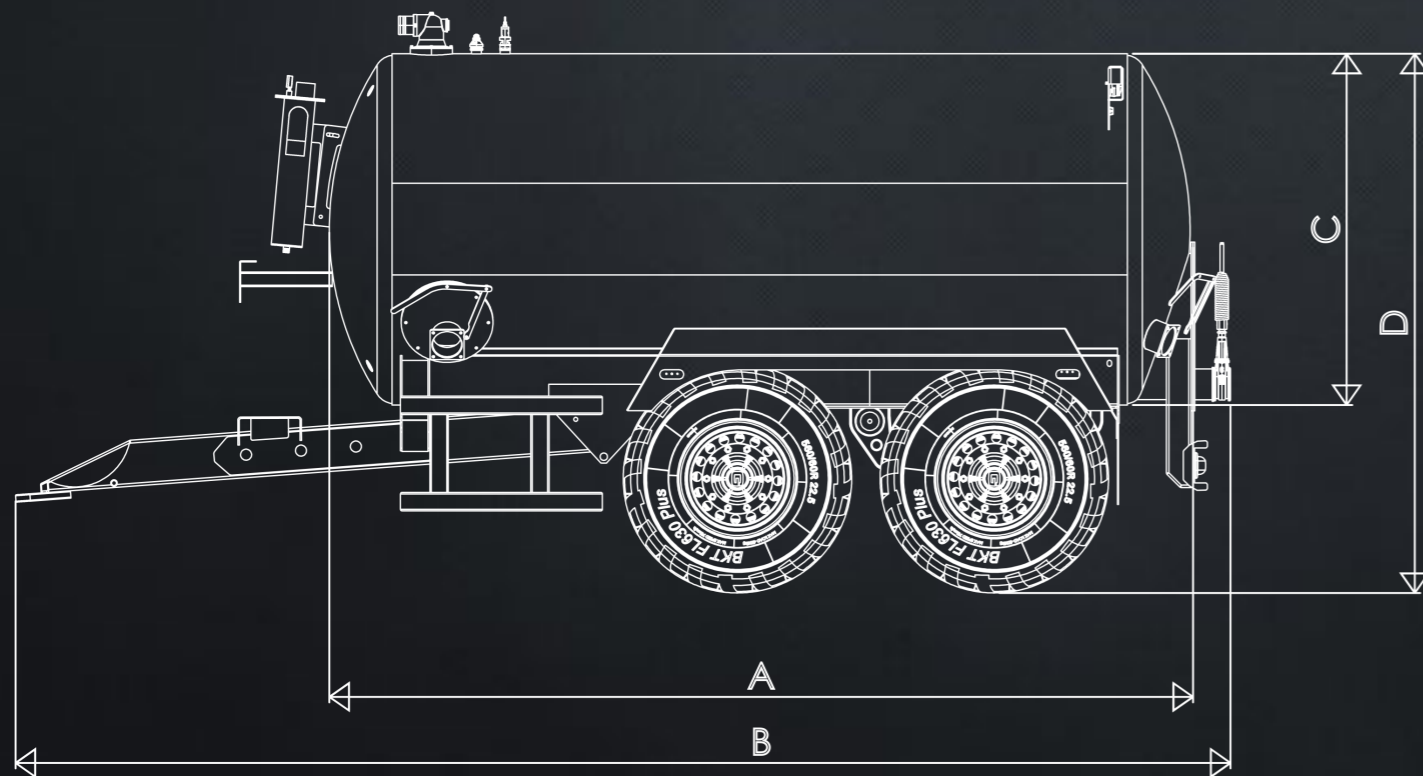
Our Water Bowsers are all mounted on a heavy duty RHS chassis, with commercial 10 stud axles and multi-leaf parabolic suspension.

TRAILER SPECIFICATION	
Model	WB2500
Carrying Capacity	2,500 Gallon
Trailer Chassis	250 x 150 x 6mm RHS
Axles	10 stud commercial axles—180mm brakes
Suspension	Multi-leaf parabolic suspension
Tyres	560/60 R22.5
Braking	Air braking system with load sensing on air. Failsafe system Ratchet style park brake
Lighting	Fully legal commercial road lighting kit Connection to tractor Rear stop/ tail/ indicator/ flashing lights Front & Side marker lights Number plate holder & light
Paint	Twin pack polyurethane paint, high gloss
Extras	Sprung drawbar Dribble bar Hydraulic pump Spinning Disk Rain gun



STAINES WB

2500 GALLON WATER BOWSER



WB2500	Ref	
Tank Length	A	4700mm
Overall Length	B	6622mm
Tank Outer Diameter	C	1914mm
Tank Inner Diameter		1902mm
Trailer body Width	D	2938mm
Overall Trailer Height	E	2615mm